

C-C440 Ex



Push-to-talk unit

Reliable communication in harsh fireground environments

The Savox C-C440 Ex com-control unit is a push-to-talk (PTT) device, specifically designed for use with a Ex two-way radio in challenging environments. Its extra-large push-to-talk button ensures a seamless user experience, even when the product is worn underneath protective clothing. Combined with a Savox Ex headset, the solution enhances team communication, efficiency, and safety of operations. The Savox C-C440 Ex is also compatible with Dräger's or MSA's mask communication units.

TECHNICAL INFORMATION

Dimensions (L//H//W)	88mm/90mm/31mm (without the clip)
Weight	Approx. 140 g without radio connector cable
Fixing options	Clothing clip, rotating 180°
Material	Thermoplastics based polyamide (PA66)
Color	PTT button: dark blue, housing: black
Emergency button option	Available in certain models, located close to headset connector
Supply voltage	3.0...10.0VDC (0VDC for dynamic microphone)
Current drain	~0.5mA @ 6VDC

CONNECTIVITY

Headset support	Savox Ex certified headsets with quick-release 4-pole connector (QR4)
Headset connector	Quick-release 4-pole female connector (QR4)
Radio connector cable	Fixed coiled cable
Radio compatibility and product codes	Please visit Savox website for more information

COMPLIANCE STANDARDS

Environmental and testing	
IP rating	IP66 / IP67
Drop resistance	Drop to flat, hard surface from 1 m
Operation temperature	-40°C...+85°C
Storage temperature	-25°C...+70°C
Button switch component lifecycle	500.000 operations
Flammability rating	All materials according to UL94-V0

Regulatory information	
ROHS	2011/65/EU + (EU) 2015/863
REACH	1907/2006
Ex/IS	ATEX, IECEx
Ex classification	Please visit Savox website for more information

HC-1 ATEX

Ex-approved helmet headset with bone conductive microphone and one speaker

Connect with Savox Ex certified C-C440 and C-C550



The Savox HC-1 Helmet-COM is a compact helmet communication system (Helmet-Com®) designed for professionals working in hazardous environments. It easily mounts into most helmet types and provides clear communication. Trusted by firefighters and emergency service personnel for over two decades, the Savox HC-1 has a proven track record in the field. Includes MSA Gallet speaker adapters for F1S/F1SF/F1XF.

Product number: L53000

CABLE

Length	305 mm (not extended)
Diameter	4mm
Material	PUR, flame retardent, black
Connector	Quick-release 4-pole male connector (QR4)
Tension strenght	max. 50N

MICROPHONE

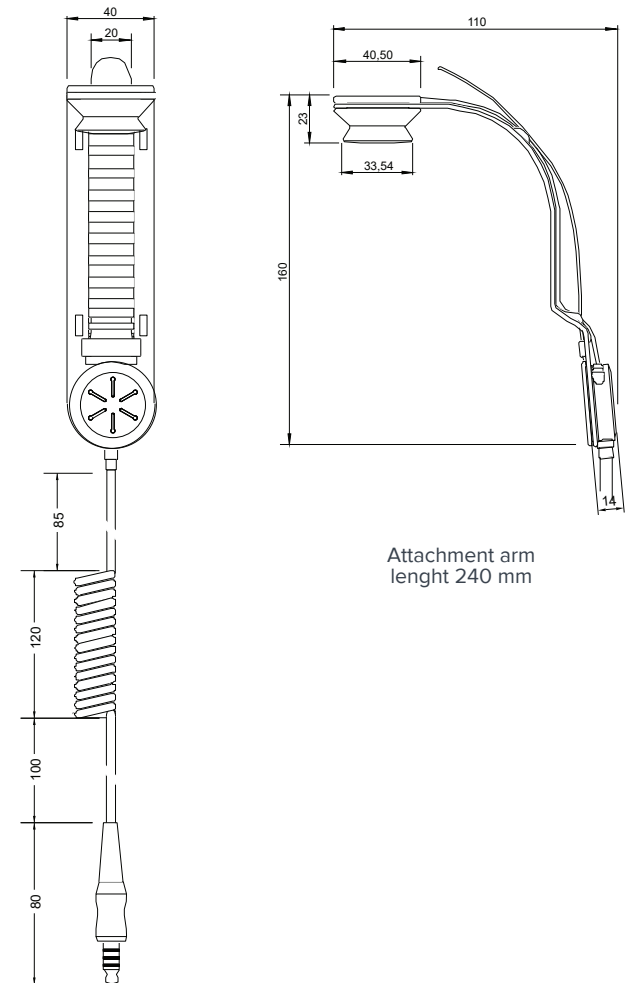
Type	Bone conduction, vibration sensitive
Impedance	6500 ohm @1 Khz
Cable	PUR, flame retardent, black ø3 mm

SPEAKER

Impedance	32ohm @ 1kHz (±15%)
Power rating	Normal 0.2W, Max. 0.5W
Audio output	81dB+/-3dB /0.2W /0.5m
Distortion	Typically less than 5%

WEIGHT

With arm & strap	88g
Without arm & strap	78g



COMPLIANCE STANDARDS

Environmental and testing

IP rating	IP56
Operation temperature	-25°C...+85°C, temporarily +120°C
Storage temperature	-25°C...+85°C
Flammability rating	All materials according to UL94-V0

Regulatory information

EMC	2014/30EU
------------	-----------